

Fixed Focus Lens (0.8:1) for DLP™ Projector

ET-DLE050

This fixed-focus lens with a short focal distance is designed for use with the DLP™ projector. It is suitable for rear projection.

NOTE: Please use the lens only on the specified Panasonic DLP™ projector.

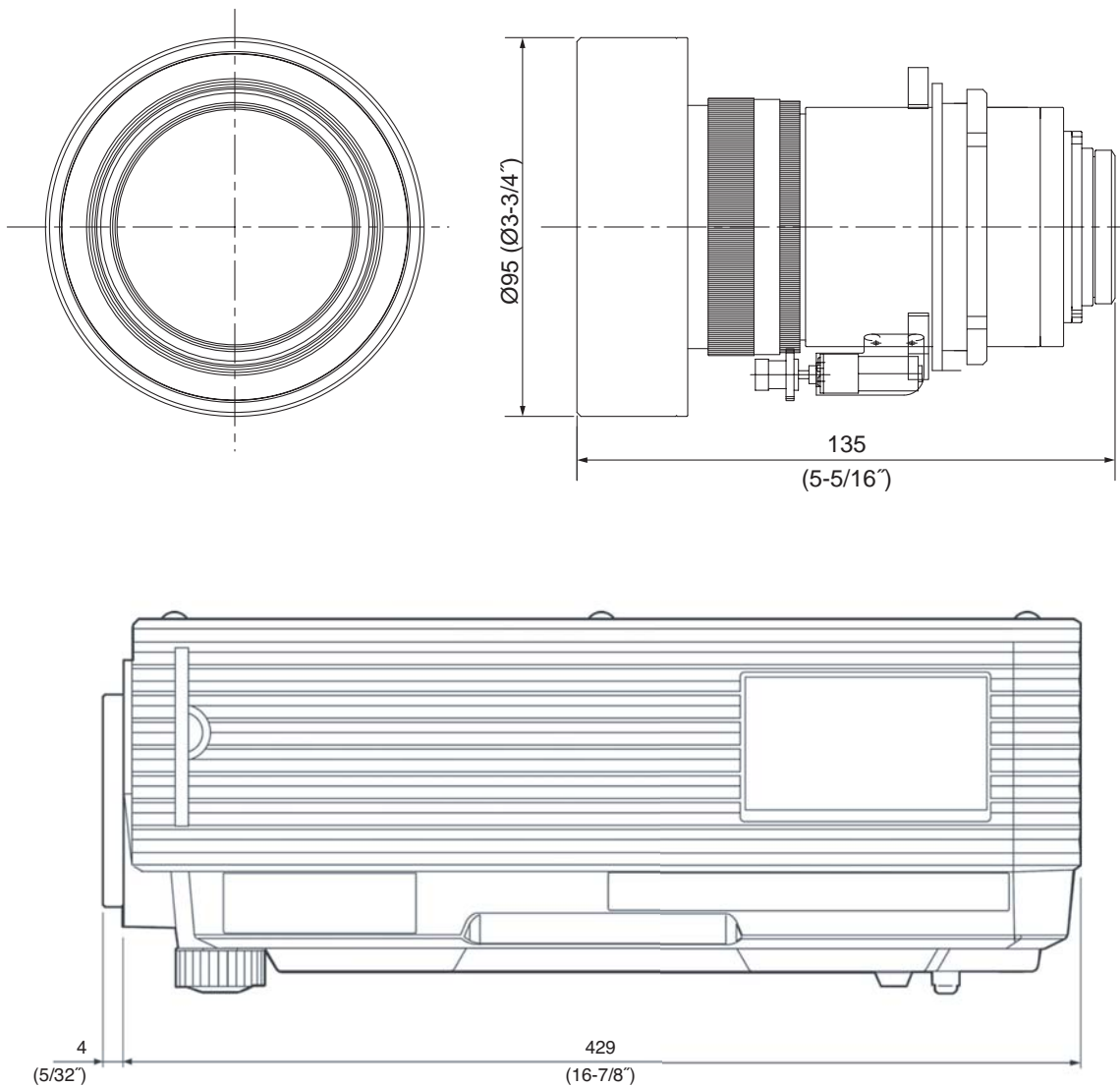
Specifications

F value:	2.1
Focal distance:	11.4 mm
Dimensions (W x H x D):	95 x 95 x 135 mm (3-3/4" x 3-3/4" x 5-5/16")
Weight:	0.7 kg (1.5 lbs)

Weights and dimensions shown are approximate.
 Specifications subject to change without notice.
 Digital Light Processing and DLP are trademarks of Texas Instruments.

Dimensions

unit: mm (inch)



The illustration shows the lens attached to the DLP™ projector.

Note: This illustration is not drawn to scale.

Zoom Lens (1.3–1.8:1) for DLP™ Projector

ET-DLE100

This zoom lens is designed for use with the DLP™ projector.
 The lens makes it possible to vary the projection distance by changing the focal distance.
 NOTE: Please use the lens only on the specified Panasonic DLP™ projector.

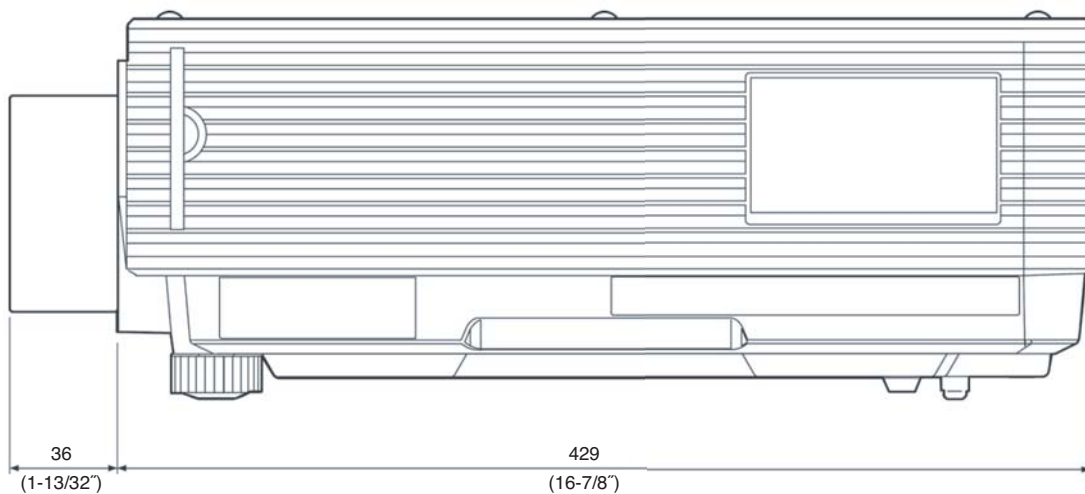
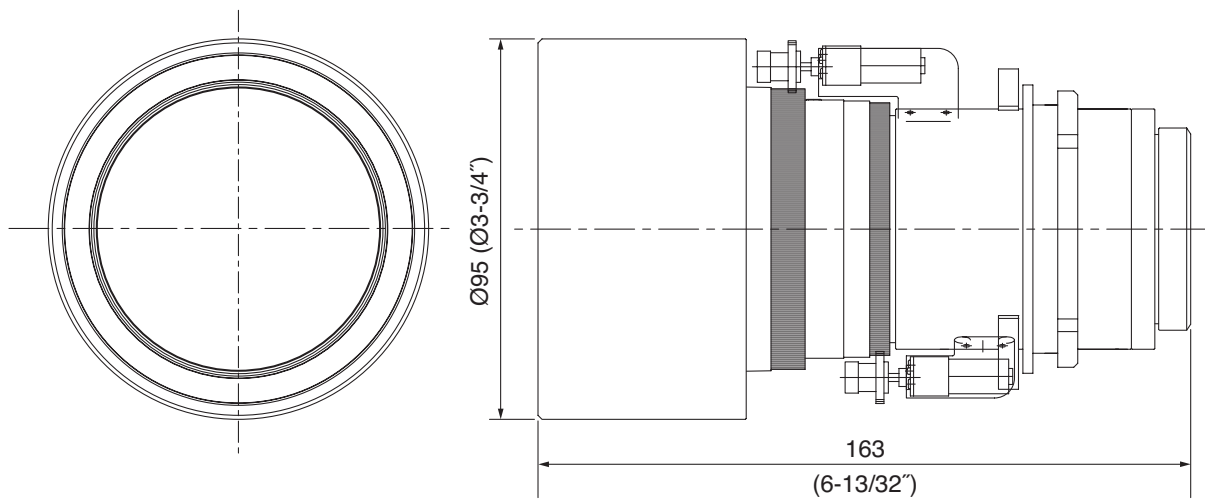
Specifications

F value:	1.8 – 2.3
Focal distance:	19.3 mm – 25.8 mm
Dimensions (W x H x D):	95 x 95 x 163 mm (3-3/4" x 3-3/4" x 6-13/32")
Weight:	0.7 kg (1.5 lbs)

Weights and dimensions shown are approximate.
 Specifications subject to change without notice.
 Digital Light Processing and DLP are trademarks of Texas Instruments.

Dimensions

unit: mm (inch)



The illustration shows the lens attached to the DLP™ projector.

Note: This illustration is not drawn to scale.

Zoom Lens (2.5–4.0:1) for DLP™ Projector

ET-DLE200

This zoom lens is designed for use with the DLP™ projector.
 The lens makes it possible to vary the projection distance by changing the focal distance.
 NOTE: Please use the lens only on the specified Panasonic DLP™ projector.

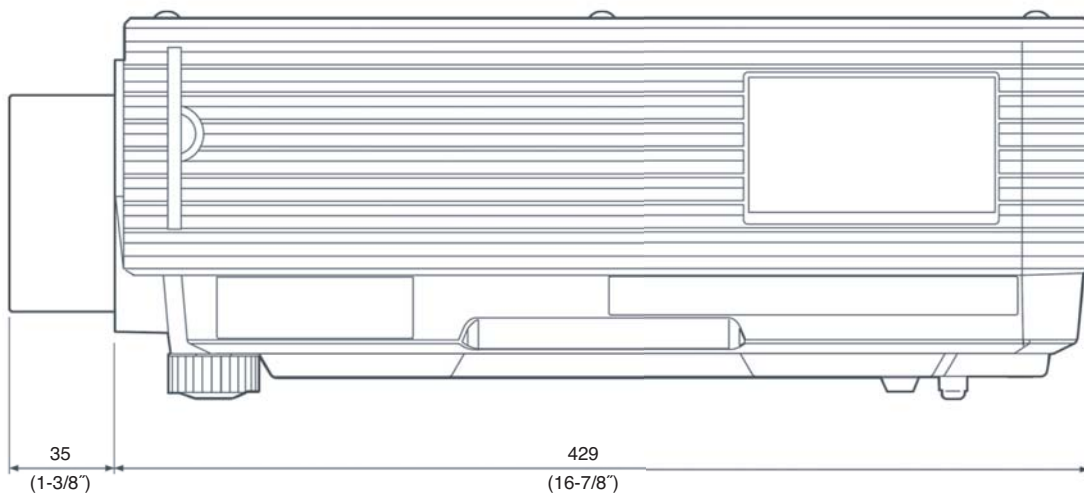
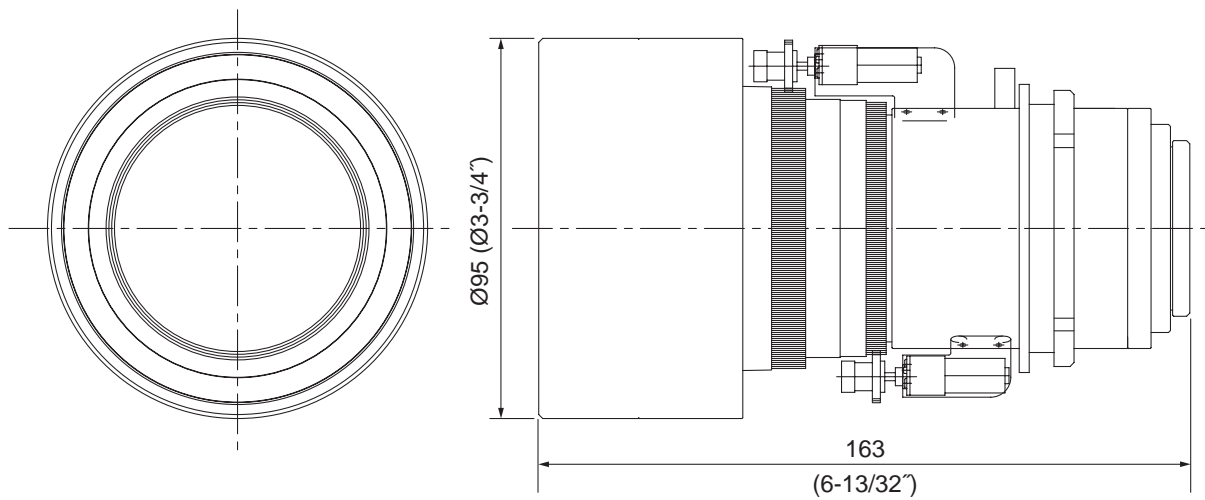
Specifications

F value:	2.0 – 2.5
Focal distance:	34.8 mm – 56.5 mm
Dimensions (W x H x D):	95 x 95 x 163 mm (3-3/4" x 3-3/4" x 6-13/32")
Weight:	0.9 kg (2.0 lbs)

Weights and dimensions shown are approximate.
 Specifications subject to change without notice.
 Digital Light Processing and DLP are trademarks of Texas Instruments.

Dimensions

unit: mm (inch)



The illustration shows the lens attached to the DLP™ projector.

Note: This illustration is not drawn to scale.

Zoom Lens (3.7–5.7:1) for DLP™ Projector

ET-DLE300

This zoom lens is designed for use with the DLP™ projector.
 The lens makes it possible to vary the projection distance by changing the focal distance.
 NOTE: Please use the lens only on the specified Panasonic DLP™ projector.

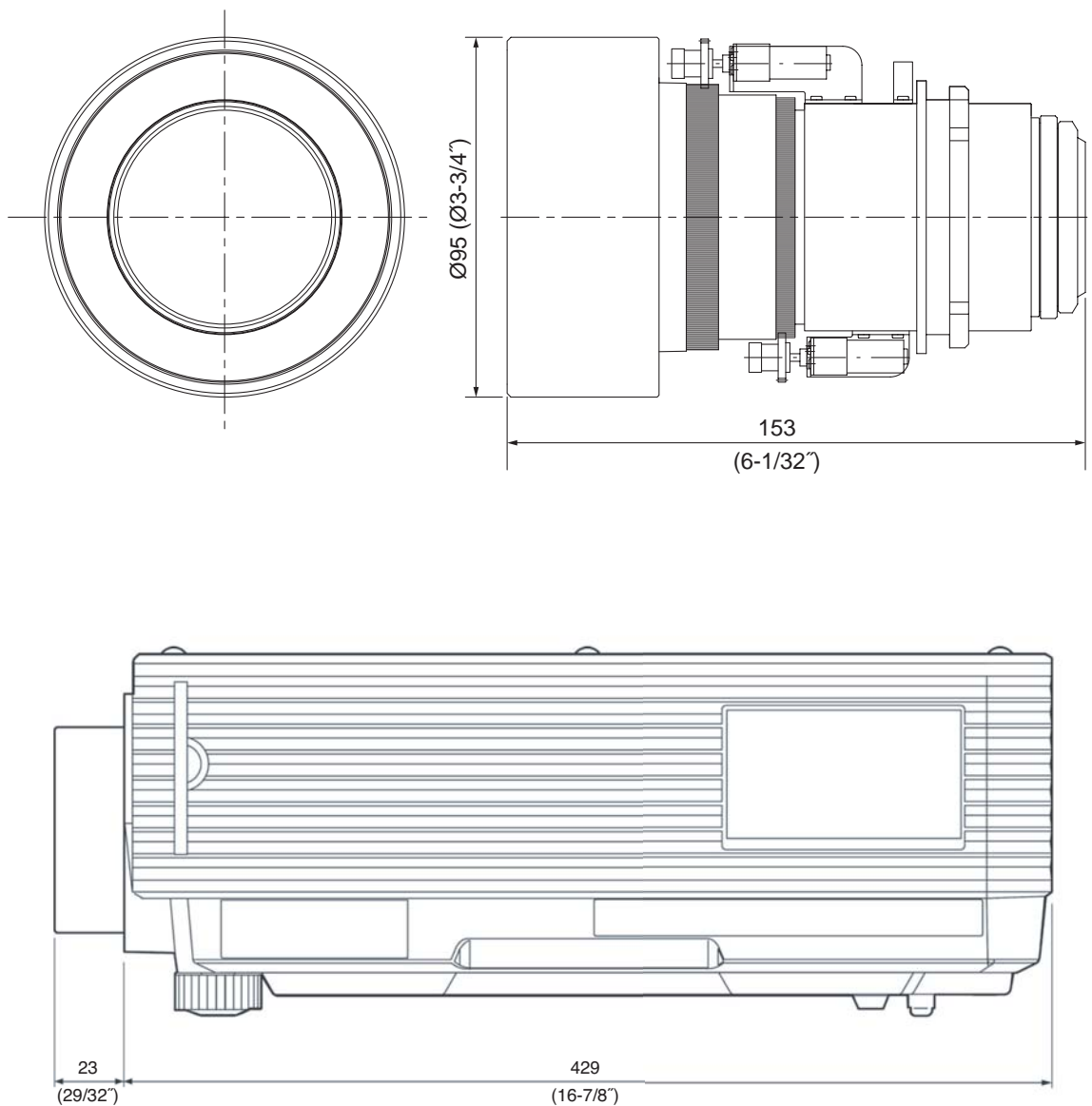
Specifications

F value:	2.1 – 2.8
Focal distance:	53.6 mm – 82.6 mm
Dimensions (W x H x D):	95 x 95 x 153 mm (3-3/4" x 3-3/4" x 6-1/32")
Weight:	0.9 kg (2.0 lbs)

Weights and dimensions shown are approximate.
 Specifications subject to change without notice.
 Digital Light Processing and DLP are trademarks of Texas Instruments.

Dimensions

unit: mm (inch)



The illustration shows the lens attached to the DLP™ projector.

Note: This illustration is not drawn to scale.

Zoom Lens (5.7–8.0:1) for DLP™ Projector

ET-DLE400

This zoom lens is designed for use with the DLP™ projector.
 The lens makes it possible to vary the projection distance by changing the focal distance.
 NOTE: Please use the lens only on the specified Panasonic DLP™ projector.

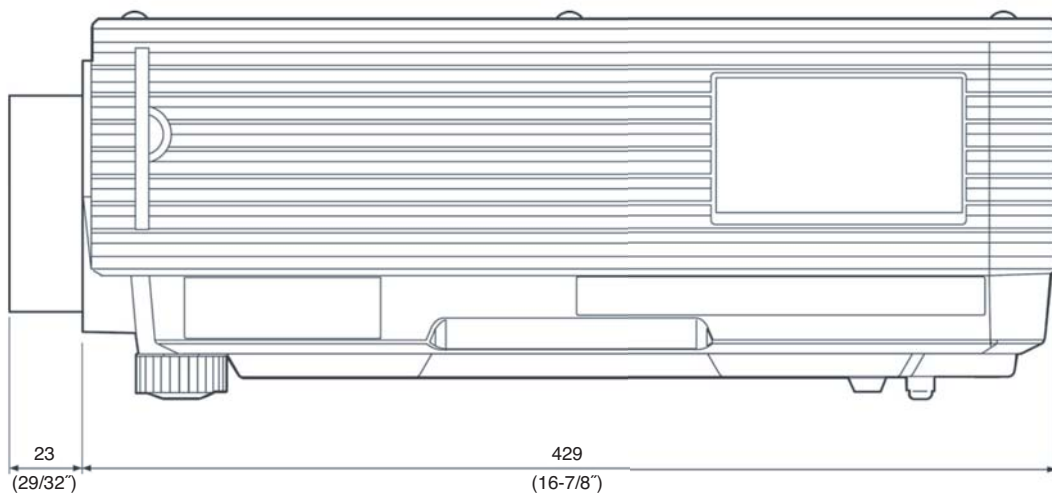
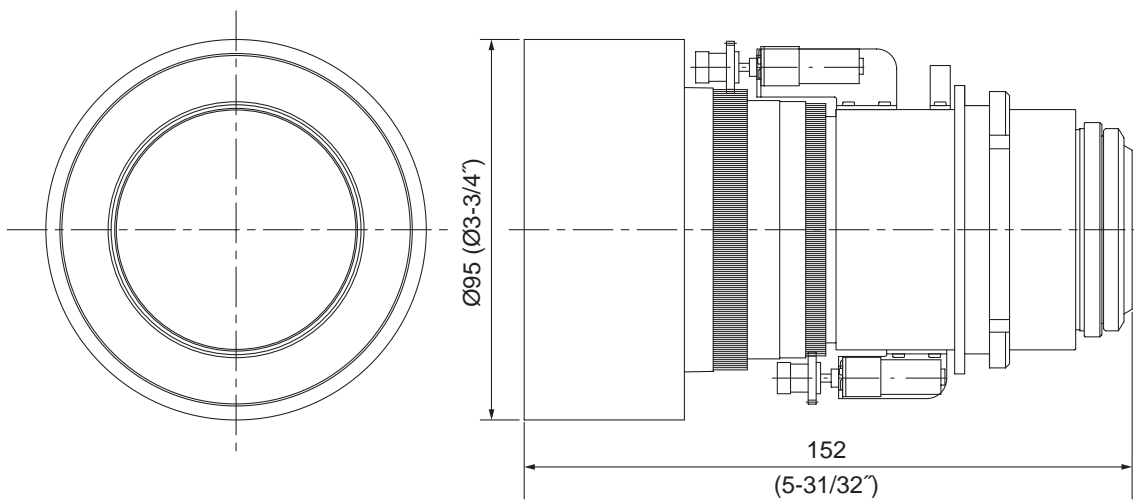
Specifications

F value:	2.1 – 2.8
Focal distance:	82.6 mm – 116.0 mm
Dimensions (W x H x D):	95 x 95 x 153 mm (3-3/4" x 3-3/4" x 6-1/32")
Weight:	0.9 kg (2.0 lbs)

Weights and dimensions shown are approximate.
 Specifications subject to change without notice.
 Digital Light Processing and DLP are trademarks of Texas Instruments.

Dimensions

unit: mm (inch)



The illustration shows the lens attached to the DLP™ projector.

Note: This illustration is not drawn to scale.

This zoom lens is designed for use with the DLP™ projector.

The lens makes it possible to vary the projection distance by changing the focal distance.

NOTE: Please use the lens only on the specified Panasonic DLP™ projector.

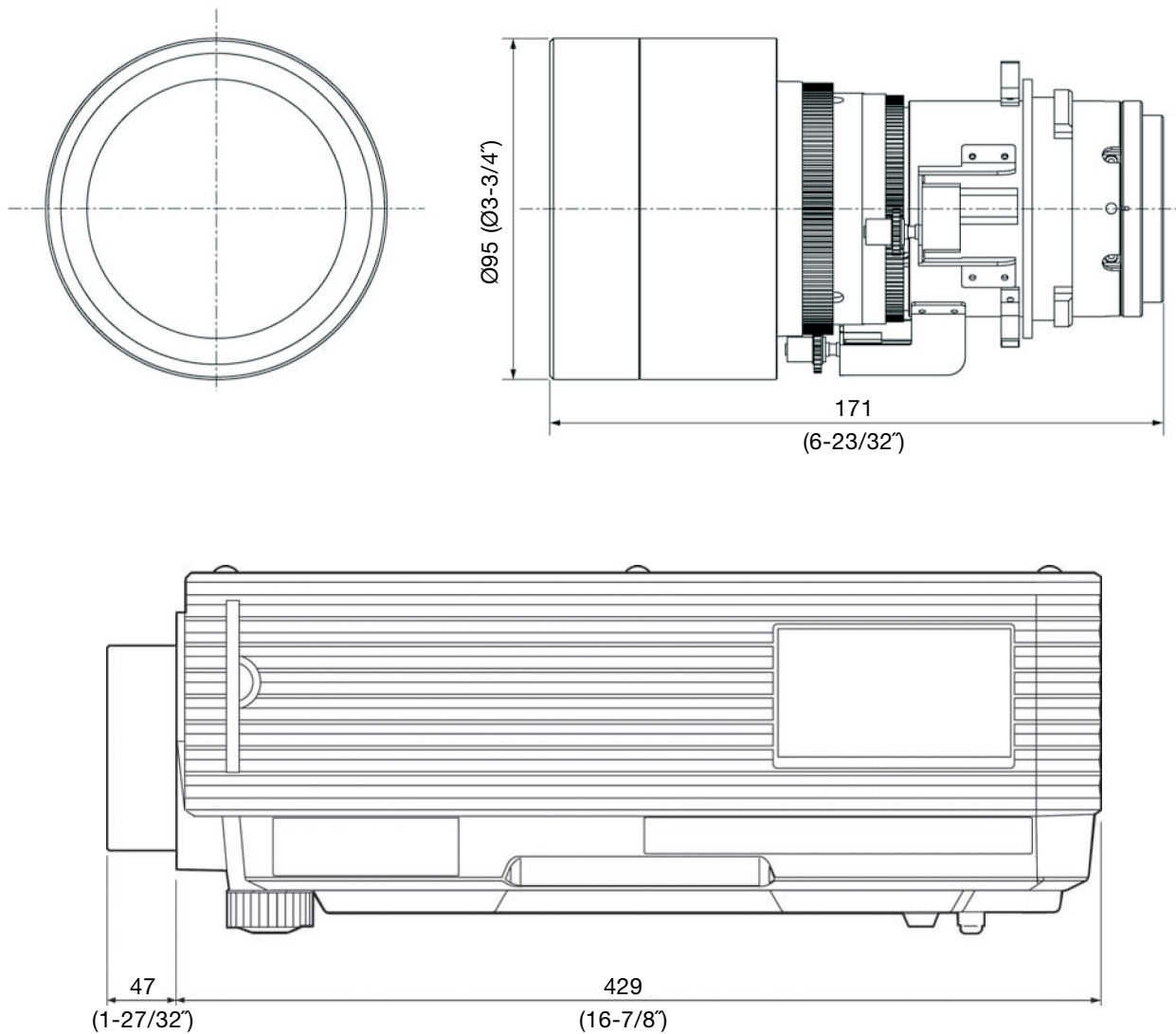
Specifications

Main Unit

F value:	2.4–2.8
Focal distance:	48.4–63.3 mm (1-29/32"–2-1/2")
Dimensions (W x H x D):	95 x 95 x 171 mm (3-3/4" x 3-3/4" x 6-23/32")
Weight:	1.1 kg (2.4 lbs)

Weights and dimensions shown are approximate.
 Specifications subject to change without notice.
 Digital Light Processing and DLP are trademarks of Texas Instruments.

Dimensions



unit : mm (inch)

The illustration shows the lens attached to the DLP™ projector.
 NOTE: This illustration is not drawn to scale.

This zoom lens is designed for use with the DLP™ projector.
 The lens makes it possible to vary the projection distance by changing the focal distance.
 NOTE: Please use the lens only on the specified Panasonic DLP™ projector.

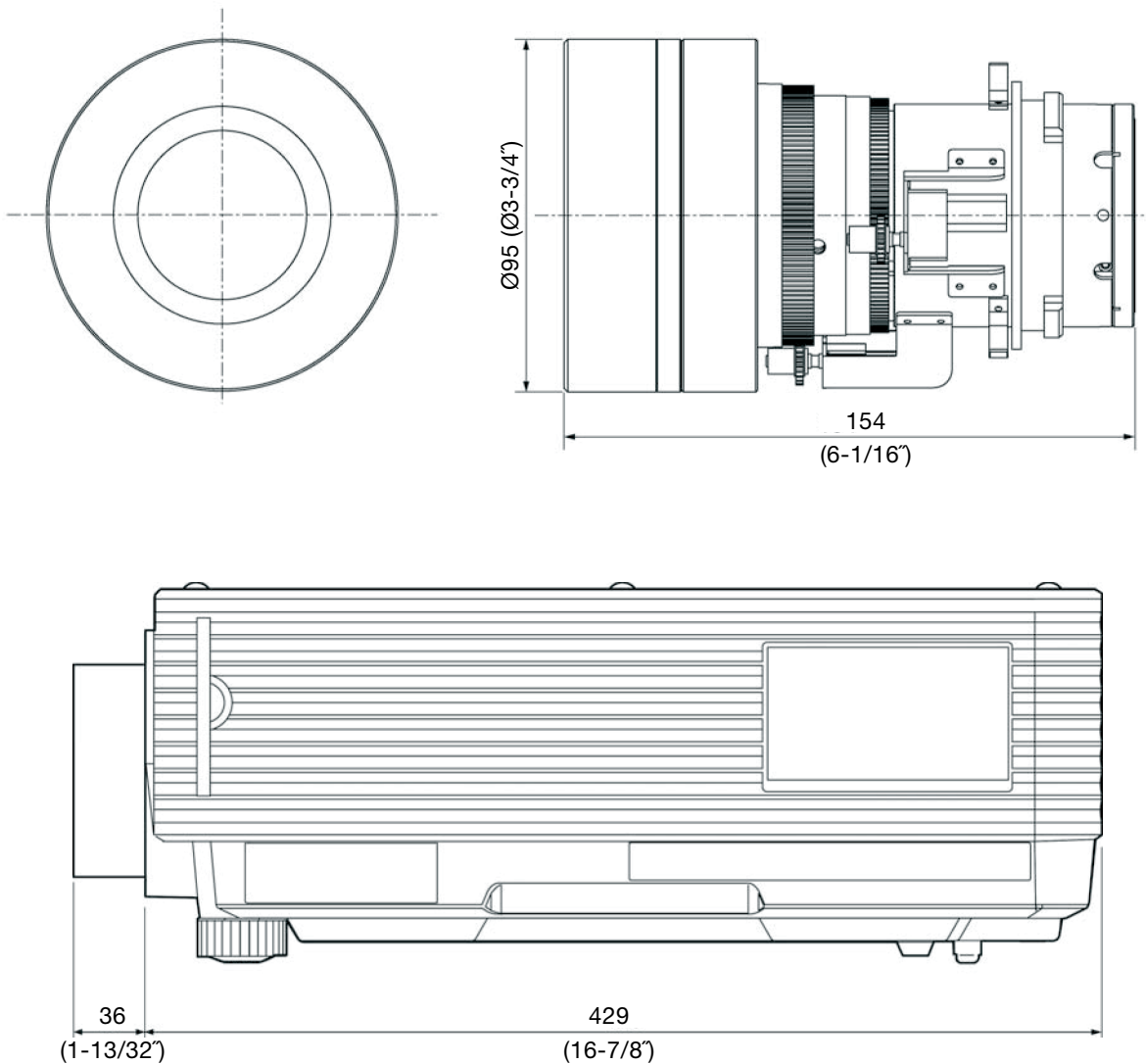
Specifications

Main Unit

F value:	2.2–3.1
Focal distance:	63.5–117.4 mm (2-1/2"–4-5/8")
Dimensions (W x H x D):	95 x 95 x 154 mm (3-3/4" x 3-3/4" x 6-1/16")
Weight:	0.9 kg (2.0 lbs)

Weights and dimensions shown are approximate.
 Specifications subject to change without notice.
 Digital Light Processing and DLP are trademarks of Texas Instruments.

Dimensions



unit : mm (inch)
 The illustration shows the lens attached to the DLP™ projector.
 NOTE: This illustration is not drawn to scale.