

Beta 91A Condenser Instrument Microphone (Half-Cardioid)

Overview

The Beta 91A is optimised for kick drums and other low frequency applications. It uses a half-cardioid condenser boundary microphone with an integrated XLR preamplifier that is tailored for a strong low-end response. It has a two-position contour switch for optimised sound signature depending on application.

Features

- Uniform half-cardioid polar pattern for maximum gain-before-feedback
- Frequency response tailored for kick drums and low frequency application
- Precision-engineered low-profile design features integrated preamplifier
- Two-position switch to maximise attack depending on application
- Flat response setting for natural sound
- „Low-mid scoop“ setting for a strong low frequency „punch“

Specifications

Type	Condenser (electret)
Frequency Response	20 Hz to 20 kHz
Polar Pattern	Half-Cardioid
Impedance	146 Ω
Sensitivity (at 1 kHz, open circuit voltage)	-48.5 dBV/Pa (3.8 mV/Pa)
Maximum SPL (1 kHz at 1% THD)	151 dB (1 kΩ load) 155 dB (2.5 kΩ load)
Signal-to-Noise Ratio (referenced at 94 dB SPL at 1 kHz)	64.0 dB
Dynamic Range (at 1 kHz)	121 dB (1 kΩ load) 125 dB (2.5 kΩ load)
Clipping Level (20 Hz-20 kHz at 1% THD)	7.5 dBV (1 kΩ load) 12.5 dBV (2.5 kΩ load)
Self Noise (typical, equivalent SPL, A-weighted)	30.0 dB(A)
Polarity	Positive pressure on diaphragm produces positive voltage on pin 2 with respect to pin 3
Weight	470 g
Switch	-7dB attenuation centred at 400 Hz
Connector	Three-pin professional audio (XLR), male
Power Requirements	11 - 52 Vdc phantom, 5.6 mA

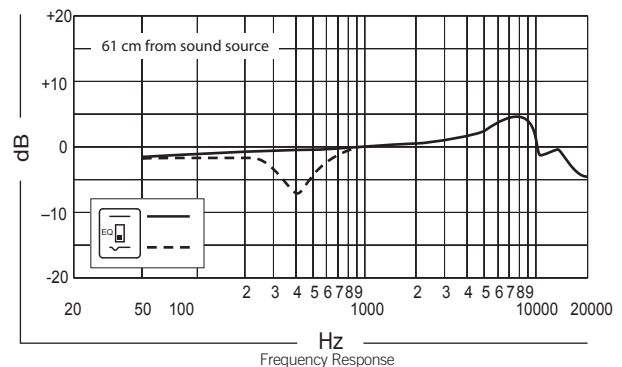
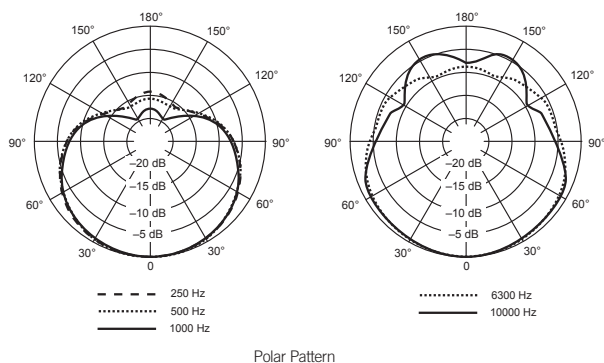


Beta 91A

Accessories and Replacement Parts

95A2314	Zippered Pouch*	RPM98A/C	Replacement Cartridge
----------------	-----------------	-----------------	-----------------------

* included in delivery



SHURE[®]
LEGENDARY
PERFORMANCE™