

# Beta 98S and Beta 98D/S Condenser Instrument Microphone (Supercardioid)

## Overview

Precision-engineered for high SPL instrument applications, the Beta 98S and Beta 98D/S provide a clear and detailed sound reproduction. The supercardioid polar pattern offers excellent rejection of unwanted sound and high gain-before-feedback. Swivel adapter for Beta 98S included. A98D drum mount with flexible gooseneck for accurate and secure placement for Beta 98D/S included.

## Features

- Uniform supercardioid polar pattern for high gain-before-feedback and superior rejection of off-axis sound
- Tailored frequency response for studio quality performance
- Wide dynamic range for use in high SPL environments
- Detachable cable for easy storage
- Interchangeable microphone cartridges with different polar pattern options

## Available Models

**Beta 98S** With swivel adapter (RK282)

**Beta 98D/S** With drum mount and gooseneck (A98D)



Beta 98S

## Specifications

<b>Type</b>	Condenser (electret)
<b>Frequency Response</b>	20 Hz to 20 kHz
<b>Polar Pattern</b>	Supercardioid
<b>Impedance</b>	150 Ω
<b>Sensitivity</b> (at 1 kHz, open circuit voltage)	-59 dBV/Pa (1.1 mV/Pa)
<b>Maximum SPL</b> (1 kHz at 1% THD)	156 dB (1 kΩ load) 160 dB (2.5 kΩ load)
<b>Signal-to-Noise Ratio</b> (referenced at 94 dB SPL at 1 kHz)	59 dB
<b>Dynamic Range</b> (at 1 kHz)	121 dB (1 kΩ load) 125 dB (2.5 kΩ load)
<b>Clipping Level</b> (20 Hz-20 kHz at 1% THD)	2 dBV (1 kΩ load) 6 dBV (2.5 kΩ load)
<b>Self Noise</b> (typical, equivalent SPL, A-weighted)	35 dB(A)
<b>Polarity</b>	Positive pressure on diaphragm produces positive voltage on pin 2 with respect to pin 3
<b>Weight</b>	12 g (only microphone capsule)
<b>Connector</b>	3 Pin XLR (TA3M at microphone)
<b>Power Requirements</b>	48±4 Vdc phantom, 1.2 mA

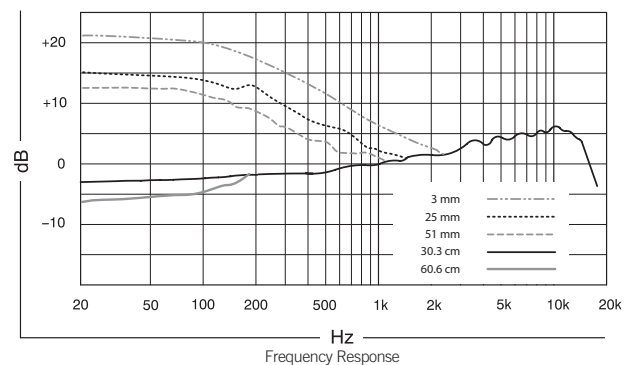
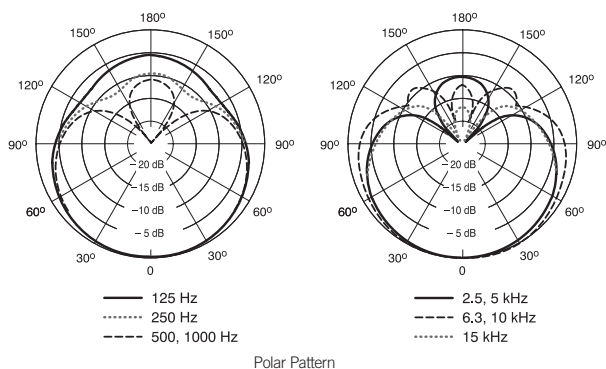


Beta 98D/S

## Accessories and Replacement Parts

<b>RPM626</b> Preamplifier*	<b>95A2314</b> Storage Bag*	<b>95A2064</b> Windscreen*	<b>RPM110</b> Supercardioid Capsule*	<b>RPM108</b> Cardioid Capsule
With <b>Beta 98S</b> included:	<b>95A2398</b> 7.6 m Lightweight Cable TA3F to TA4F	<b>RK282</b> Shock-Mount Swivel Adapter	<b>95A2050</b> 5/8" to 3/8" Thread Adapter	
With <b>Beta 98D/S</b> included:	<b>C98D</b> 4.6 m Cable, TA3F to TA4F	<b>A98D</b> Gooseneck Mount		

\* included in delivery



**SHURE**<sup>®</sup>  
 LEGENDARY  
 PERFORMANCE™