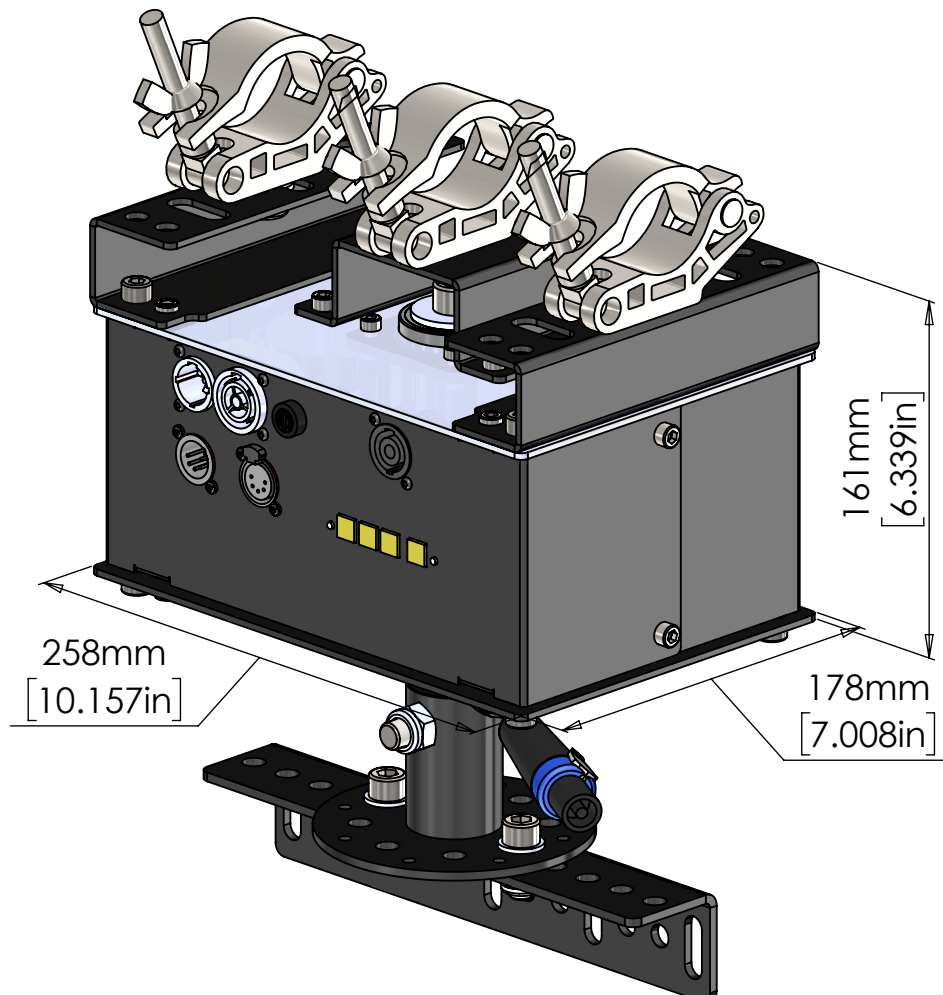


Rotator DMX

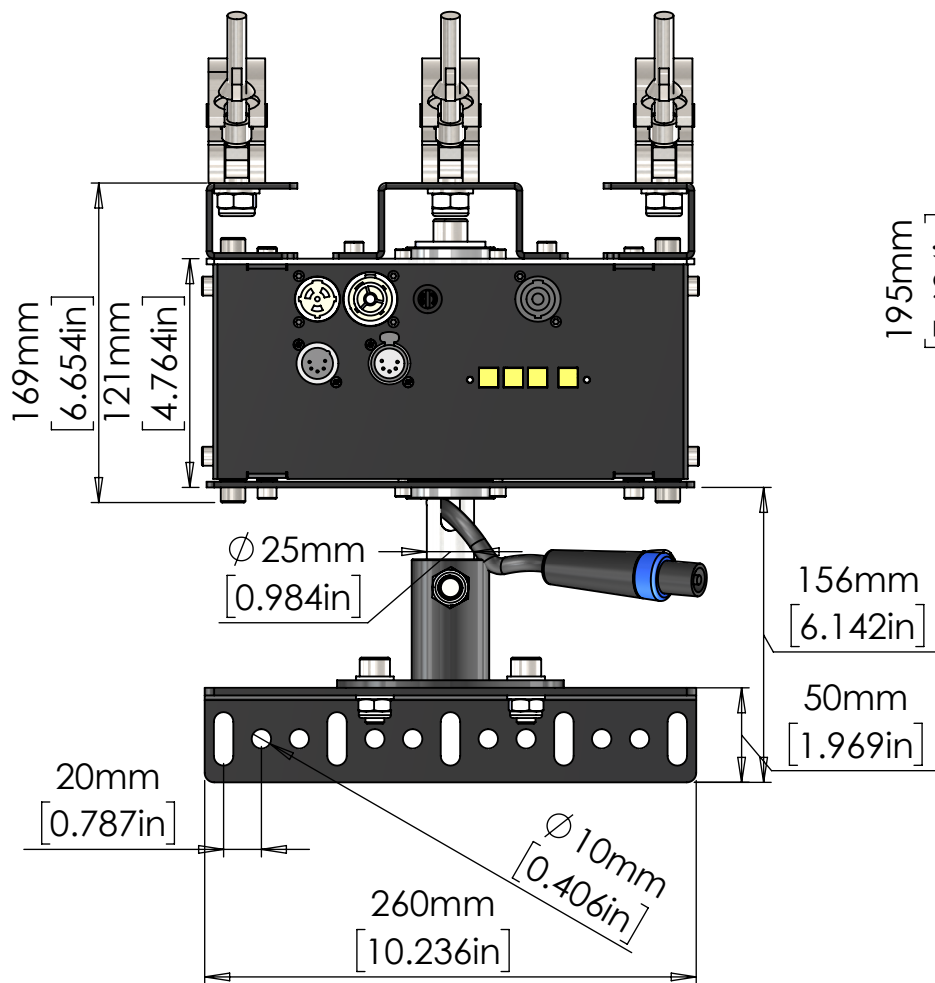
Item no .281

TECHNICAL DATA

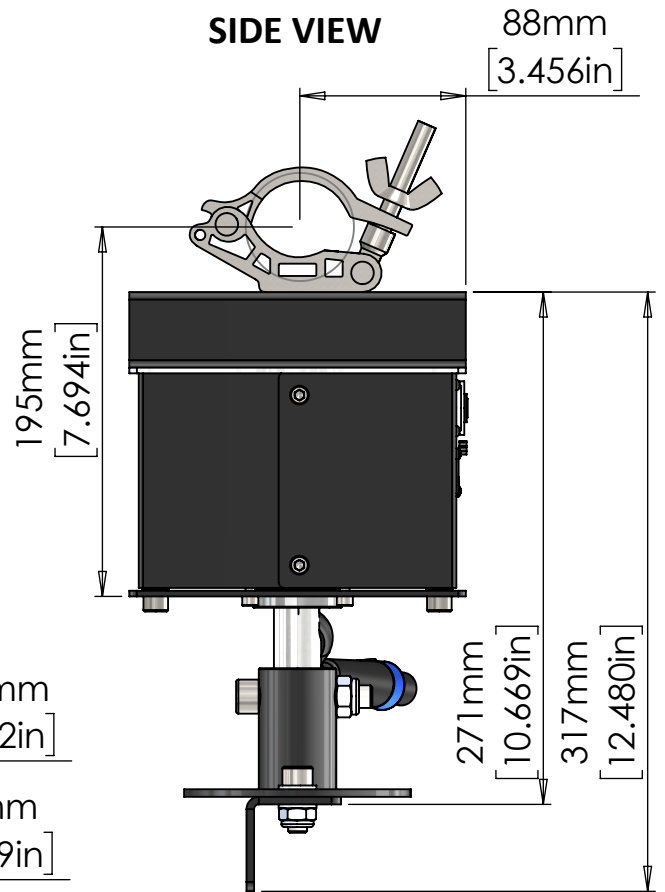
MODEL: Rotator
ITEM NO.: 281
DIMENSIONS (LxWxH): 258 × 178 × 317 mm. / 10.2 × 7.0 × 12.5 in.
POWER SUPPLY: 100-240 V AC 50 Hz/60Hz.
POWER CONSUMPTION: Max 150 Watt
POWER INLET/OUTLET: Neutrik powerCON TRUE1 NAC3PX (F/M)
DMX CONTROL SIGNAL: DMX 512 1990 + DMX512A / 7 channels used.
DMX CONNECTION: 5 pole XLR, In & link
ROTATING LIMIT: No limit / Continuous rotation
ROTATING SPEED: Variable, 0.15-6.8 rpm
WORKING LOAD LIMIT (WLL): Shaft - down / 150 kg. (330 lb)
Shaft - up / 100 kg. (220 lb)
Shaft - sideways / 50 kg. (110 lb)
SAFETY FACTOR: 10
NOISE EMISSION: ~50 dB (max measured noise at 1 m/3.3 ft.)
AMBIENT TEMPERATURE: 0-40°C (32-104°F)
OWN WEIGHT: 11.8 kg (26 lb)
MOUNTING CLAMP: 3× Slim eye coupler 50 mm (2 in)
MOTOR: 24 V DC, 28.9 Watt, IP30
MAXIMUM ATTACHMENT CURRENT: 1 + (1.5 mm²): 10A through power connection
1 - (1.5 mm²): 10A through power connection
2 + (1.5 mm²): 10A through power connection
2 - (1.5 mm²): 10A through power connection
INLET / OUTLET: Neutrik SpeakON NL4MP/NL4FX



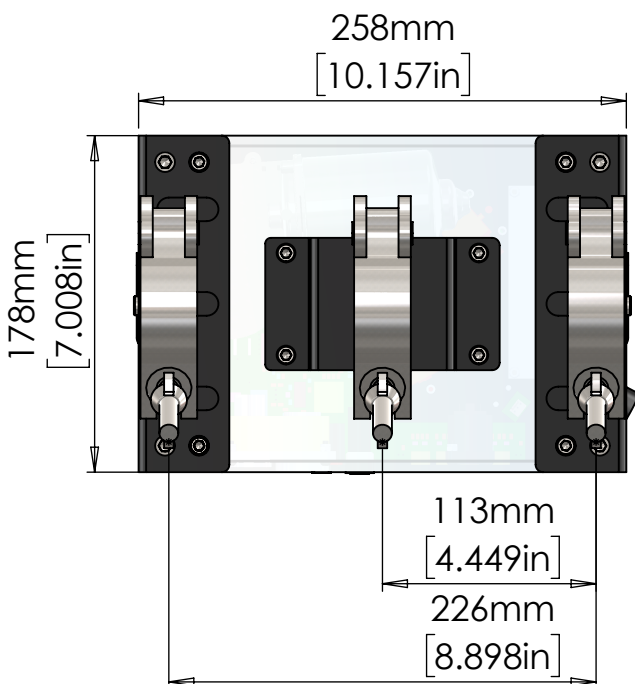
FRONT VIEW



SIDE VIEW



TOP VIEW



BOTTOM VIEW

